

Set up Fuse Deck:

1) Select Rubber Spacer

Fuse Dek comes with a preinstalled spacer for Ion and Solace cases. If you have a Sector, Sector Pro, or Ronin case, swap the spacer with the included short spacer (CPM-00090).



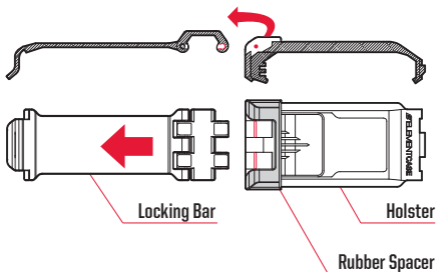
CPM-00105
For Ion,
Solace



CPM-00090
For Sector / Pro
Ronin

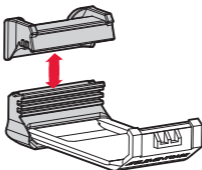
2) Install Rubber Spacer

To change the preinstalled spacer, remove Locking Bar and slide off Holster. Replace preinstalled Rubber Spacer.



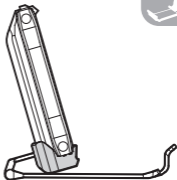
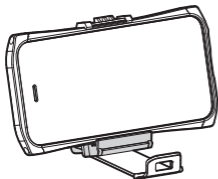
3) Reinstall Holster and Locking Bar

Slide on Holster and reinstall Locking Bar (Optional) for increased retention and Viewing Stand function.

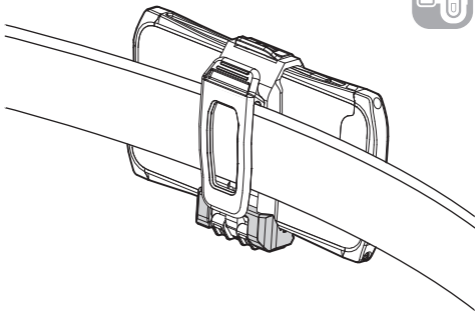


Fuse Deck Operation:

1) Viewing Stand



2) Belt Clip



3) FMS Mount

